

307YGM2E-1B

3mm Round, Yellow & Yellow Green Bi-Color LED
Bi-color and bipolar types

Technical Data Sheet

Features:

- Bulk, Available on tape and reel.
- Super Bright Yellow and Super Yellow Green chips are matched for uniform light output.
- Long life solid state reliability.
- Low power consumption.
- I.C. compatible.
- Compliance with EU REACH.
- The product itself will remain within RoHS compliant Version.

Descriptions:

- The lamp contain two integral chips and is available as both bicolor and bipolar types.
- The LED lamps are available with different colors, intensities.

Applications:

- Telephone.
- Computer.
- Circuit board.
- Status indicators.
- Commercial use.

Device Selection Guide

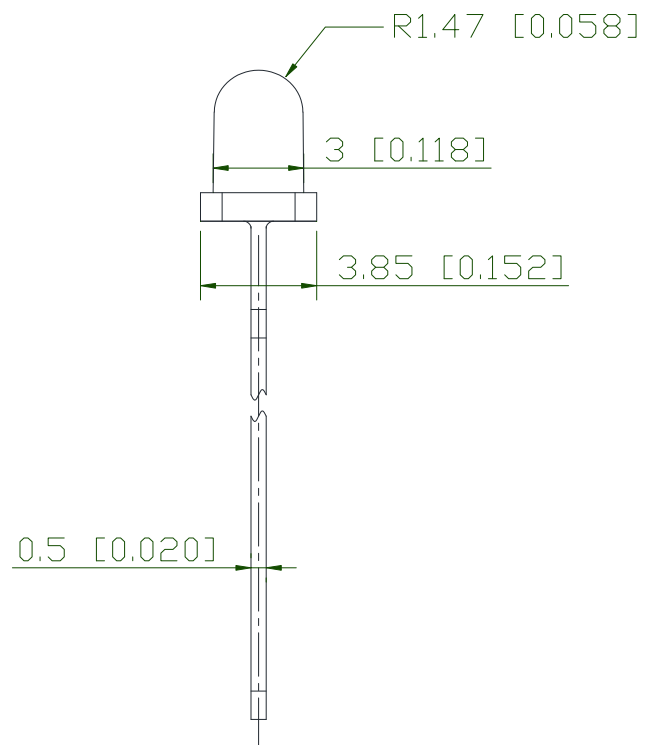
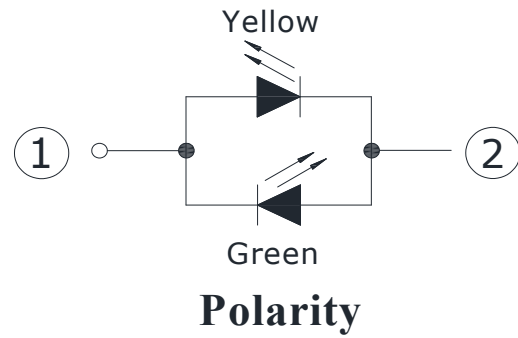
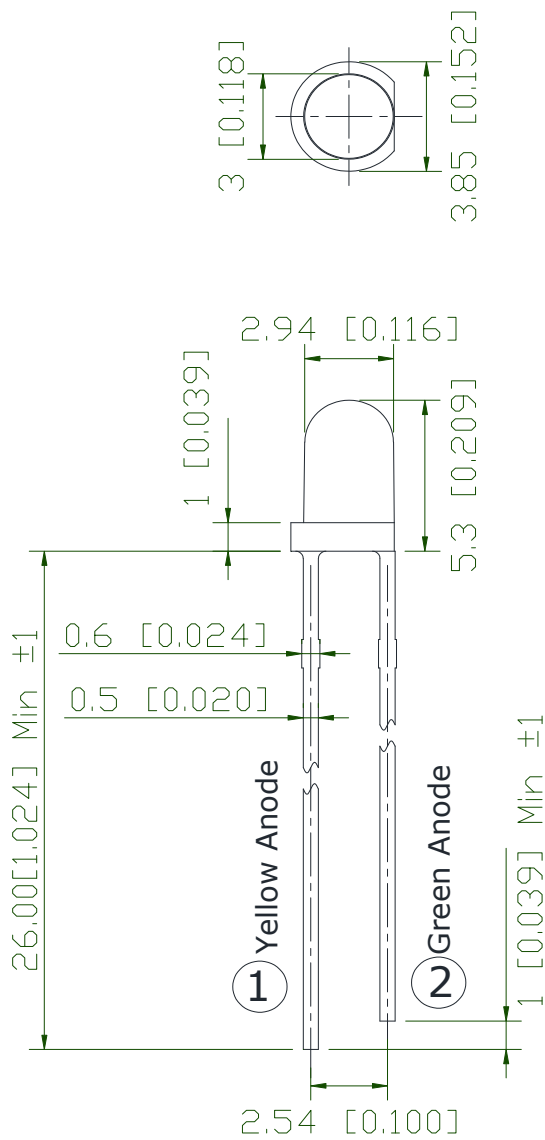
Part No.	Emitting Color		Lens Color
307YGM2E-1B	Y	Super Bright Yellow	White Diffused
	G	Super Yellow Green	

307YGM2E-1B

3mm Round, Yellow & Yellow Green Bi-Color LED
Bi-color and bipolar types

Technical Data Sheet

Package Dimension:



Notes:

1. All dimensions are in millimeters (inches).
2. Tolerance is ± 0.25 mm (.010") unless otherwise noted.
3. Protruded resin under flange is 1.00mm (.039") max.

307YGM2E-1B

3mm Round, Yellow & Yellow Green Bi-Color LED
Bi-color and bipolar types

Technical Data Sheet

Absolute Maximum Ratings at Ta=25°C

Parameters	Symbol	Max.	Unit	
Power Dissipation	P _d	Yellow	60	mW
		Yellow Green	60	
Peak Forward Current ^(a)	I _{FP}	100	mA	
DC Forward Current ^(b)	I _F	Yellow	25	mA
		Yellow Green	25	
Reverse Voltage	V _R	5	V	
Operating Temperature Range	T _{opr}	-40°C to +80°C		
Storage Temperature Range	T _{stg}	-40°C to +85°C		
Soldering Temperature	T _{slid}	260°C for 5 Seconds		

Notes:

- a. Derate linearly as shown in derating curve.
- b. Duty Factor = 10%, Frequency = 1 kHz.

307YGM2E-1B

3mm Round, Yellow & Yellow Green Bi-Color LED
Bi-color and bipolar types

Technical Data Sheet

Electrical Optical Characteristics at Ta=25°C

Parameters	Symbol	Emitting Color	Min.	Typ.	Max.	Unit	Test Condition
Luminous Intensity ^(a)	I _v	Yellow	45	90	---	mcd	IF=20mA
		Yellow Green	20	45	---		
Viewing Angle ^(b)	2θ _{1/2}	Yellow	---	60	---	deg.	IF=20mA
		Yellow Green	---	60	---		
Peak Emission Wavelength	λ _p	Yellow	---	592	---	nm	IF=20mA
		Yellow Green	---	573	---		
Dominant Wavelength ^(c)	λ _d	Yellow	---	590	---	nm	IF=20mA
		Yellow Green	---	571	---		
Spectral Line Half-Width	Δλ	Yellow	---	15	---	nm	IF=20mA
		Yellow Green	---	20	---		
Forward Voltage	V _F	Yellow	1.6	2.0	2.4	V	IF=20mA
		Yellow Green	1.6	2.0	2.4		
Reverse Current	I _R	Yellow	---	---	10	μA	V _R =5V
		Yellow Green	---	---	10		

Notes:

- Luminous intensity is measured with a light sensor and filter combination that approximates the CIE eye-response curve.
- 2θ_{1/2} is the o-axis angle where the luminous intensity is 1/2 the peak intensity.
- The dominant wavelength (λ_d) is derived from the CIE chromaticity diagram and represents the single wavelength which defines the color of the device.

307YGM2E-1B

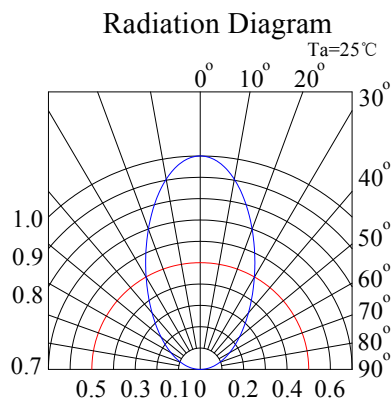
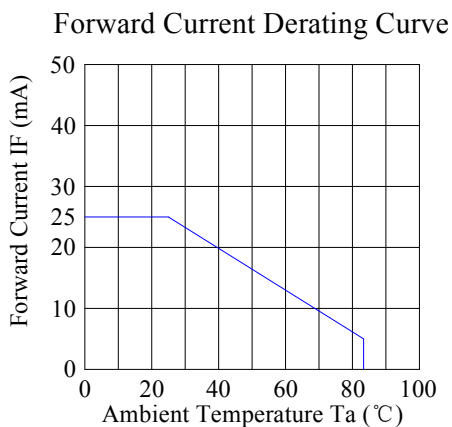
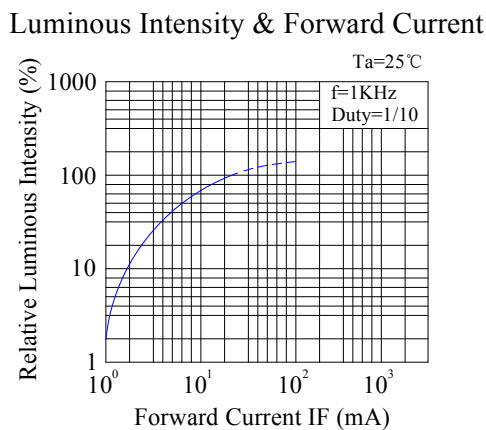
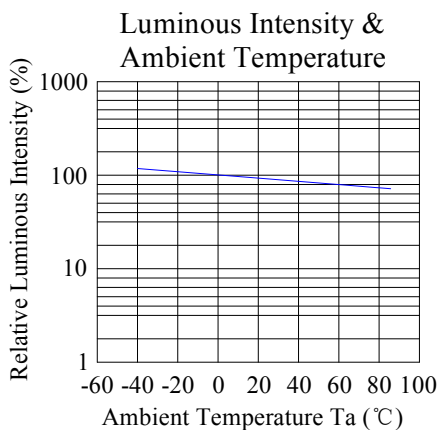
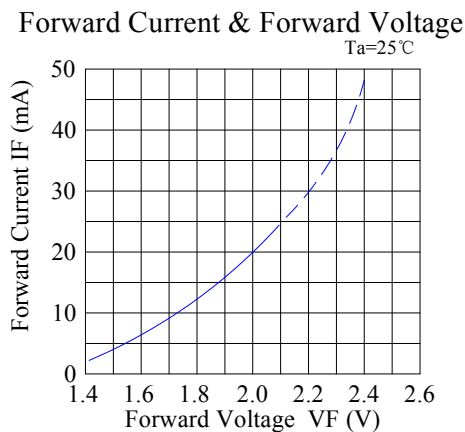
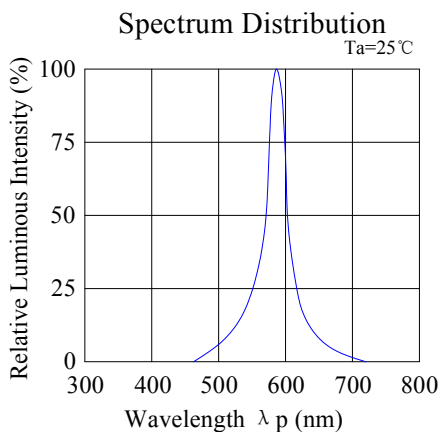
3mm Round, Yellow & Yellow Green Bi-Color LED
Bi-color and bipolar types



Technical Data Sheet

Typical Electrical / Optical Characteristics Curves (25°C Ambient Temperature Unless Otherwise Noted)

Yellow:



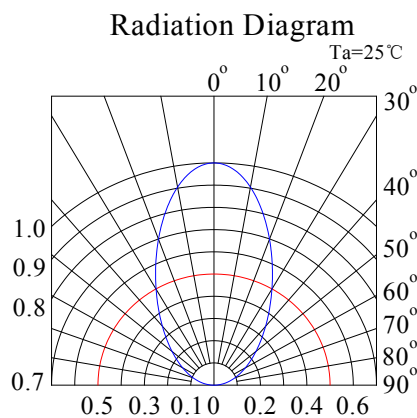
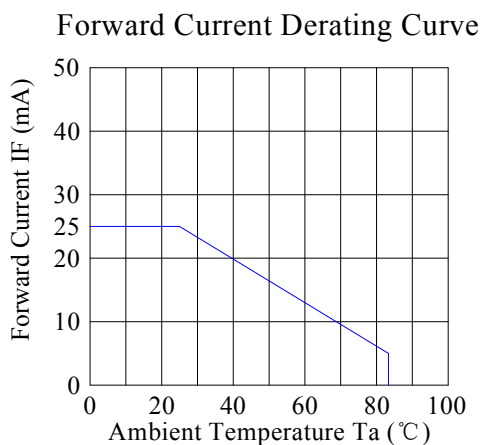
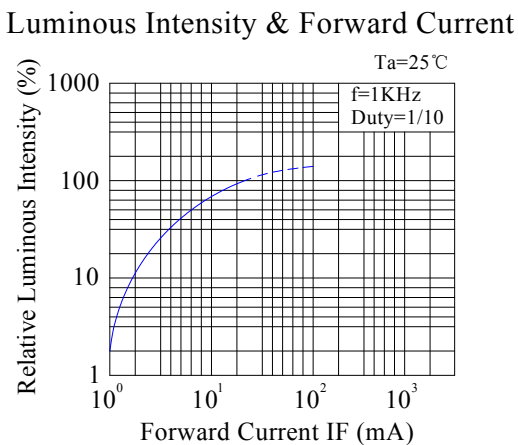
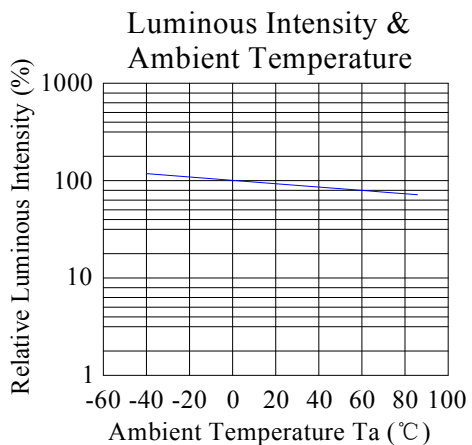
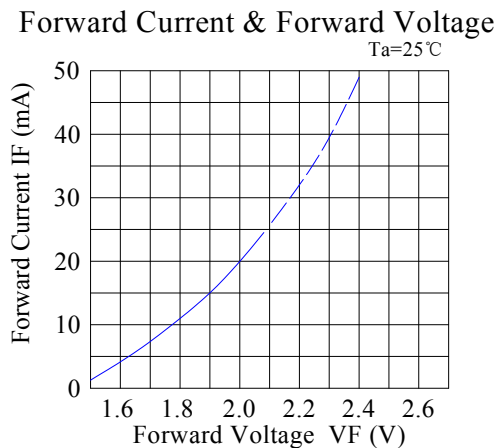
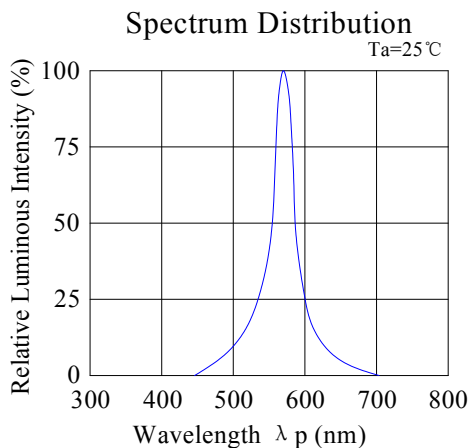
307YGM2E-1B

3mm Round, Yellow & Yellow Green Bi-Color LED
Bi-color and bipolar types



Technical Data Sheet

Yellow Green:



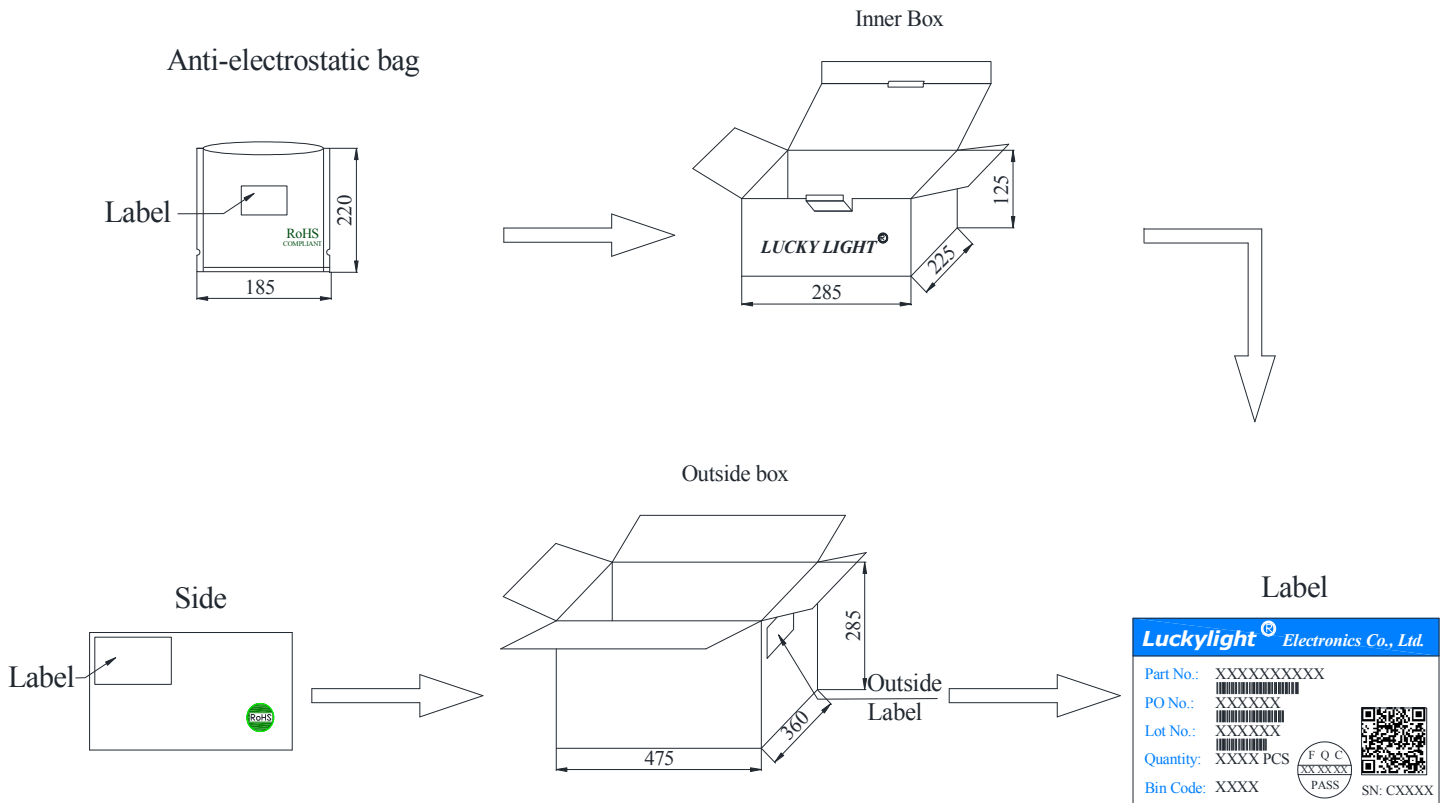
307YGM2E-1B

3mm Round, Yellow & Yellow Green Bi-Color LED
Bi-color and bipolar types



Technical Data Sheet

Packing & Label Specifications:



Packing Quantity:

- a. 1000 PCS/bag.
- b. 12000 PCS/Inner Box.
- c. 6 Inner Boxes/Outside Box.

307YGM2E-1B

3mm Round, Yellow & Yellow Green Bi-Color LED
Bi-color and bipolar types

Technical Data Sheet

CAUTIONS

1. **Over-current-proof**

Customer must apply resistors for protection, otherwise slight voltage shift will cause big current change (Burn out will happen).

2. **Storage**

2.1 The LEDs should be stored at 30°C or less and 70%RH or less after being shipped from LuckyLight and the storage life limits are 3 months. If the LEDs are stored for 3 months or more, they can be stored for a year in a sealed container with a nitrogen atmosphere and moisture absorbent material.

2.2 Please avoid rapid transitions in ambient temperature, especially, in high humidity environments where condensation can occur.

3. **Cleaning**

Use alcohol-based cleaning solvents such as isopropyl alcohol to clean the LEDs if necessary.

4. **Lead Forming & Assembly**

During lead forming, the leads should be bent at a point at least 1.6mm from the base of LED lens. Do not use the base of the lead frame as a fulcrum during forming. Lead forming must be done before soldering, at normal temperature. During assembly on PCB, use minimum clinch force possible to avoid excessive mechanical stress.

5. **Soldering**

When soldering, for Lamp without stopper type and must be leave a minimum of 3mm clearance from the base of the lens to the soldering point. Do not apply any external stress to the lead frame during soldering while the LED is at high temperature.

Recommended soldering conditions:

Soldering Iron		Wave Soldering	
Temperature	300°C Max. 3 sec. Max.	Pre-heat	100°C Max.
Soldering Time	(one time only)	Pre-heat Time	60 sec. Max.
		Solder Wave	260°C Max.
		Soldering Time	5 sec. Max.

Note:

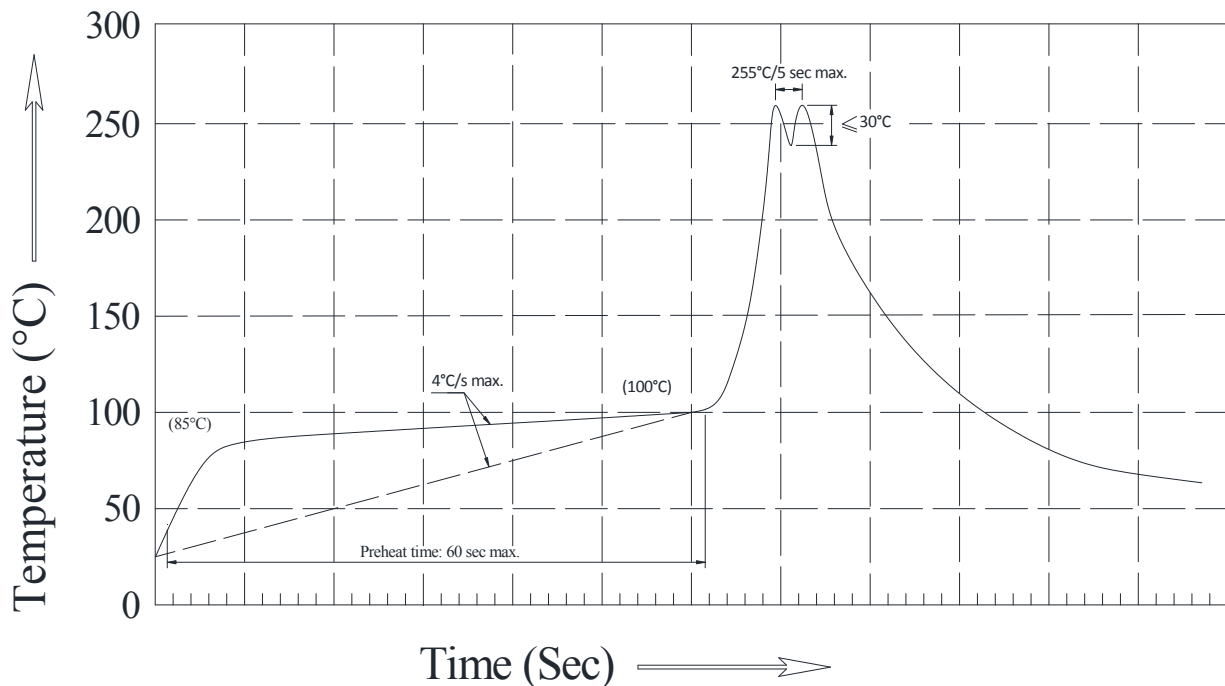
a. Excessive soldering temperature and / or time might result in deformation of the LED lens or catastrophic failure of the LED.

307YGM2E-1B

3mm Round, Yellow & Yellow Green Bi-Color LED
Bi-color and bipolar types

Technical Data Sheet

Recommended Wave Soldering Profiles



Notes:

- Recommend pre-heat temperature of 105° C or less (as measured with a thermocouple attached to the LED pins) prior to immersion in the solder wave with a maximum solder bath temperature of 260° C.
- Peak wave soldering temperature between 245° C ~ 255° C for 3 sec (5 sec max).
- Do not apply stress to the epoxy resin while the temperature is above 85° C.
- Fixtures should not incur stress on the component when mounting and during soldering process.
- SAC 305 solder alloy is recommended.
- No more than one wave soldering pass.

6. Drive Method

An LED is a current-operated device. In order to ensure intensity uniformity on multiple LEDs connected in parallel in an application, it is recommended that a current limiting resistor be incorporated in the drive circuit, in series with each LED as shown in Circuit A below.



(A) Recommended circuit

(B) The brightness of each LED might appear different due to the differences in the I-V characteristics of those LEDs.

307YGM2E-1B

3mm Round, Yellow & Yellow Green Bi-Color LED
Bi-color and bipolar types

Technical Data Sheet

7. Repairing

Repair should not be done after the LEDs have been soldered. When repairing is unavoidable, a double-head soldering iron should be used. It should be confirmed beforehand whether the characteristics of the LEDs will or will not be damaged by repairing.

8. ESD (Electrostatic Discharge)

Static Electricity or power surge will damage the LED. Suggestions to prevent ESD damage:

- 8.1. Use a conductive wrist band or anti- electrostatic glove when handling these LEDs.
- 8.2. All devices, equipment, and machinery must be properly grounded.
- 8.3. Work tables, storage racks, etc. should be properly grounded.
- 8.4. Use ion blower to neutralize the static charge which might have built up on surface of the LEDs plastic lens as a result of friction between LEDs during storage and handing.

ESD-damaged LEDs will exhibit abnormal characteristics such as high reverse leakage current, low forward voltage, or “no light up” at low currents.

To verify for ESD damage, check for “light up” and VF of the suspect LEDs at low currents.

The VF of “good” LEDs should be $>2.0V@0.1mA$ for InGaN product and $>1.4V@0.1mA$ for AlInGaP product.

9. Others

- 9.1 The information included in this document reflects representative usage scenarios and is intended for technical reference only.
- 9.2 The part number, type, and specifications mentioned in this document are subject to future change and improvement without notice. Before production usage customer should refer to the latest datasheet for the updated specifications.
- 9.3 When using the products referenced in this document, please make sure the product is being operated within the environmental and electrical limits specified in the datasheet. If customer usage exceeds the specified limits, LuckyLight will not be responsible for any subsequent issues.
- 9.4 The LEDs described here are intended to be used for ordinary electronic equipment (such as office equipment, communication equipment and household applications). Consult LuckyLight’s Sales in advance for information on applications in which exceptional reliability is required, particularly when the failure or malfunction of the LEDs may directly jeopardize life or health, such as in aviation, transportation, traffic control equipment, medical and life support systems and safety devices.